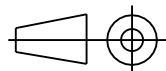
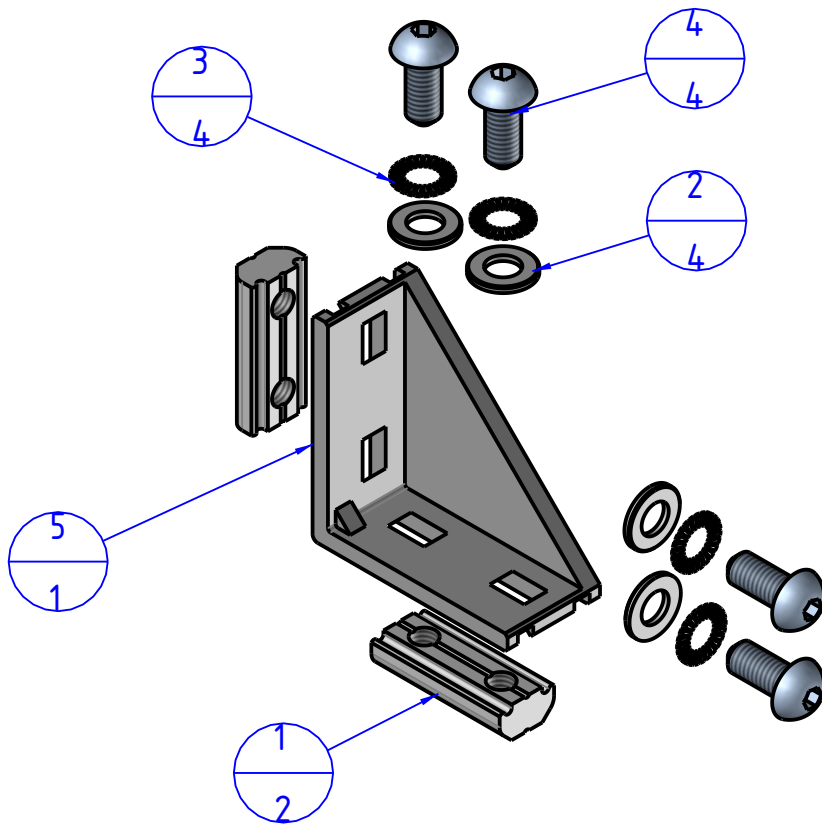
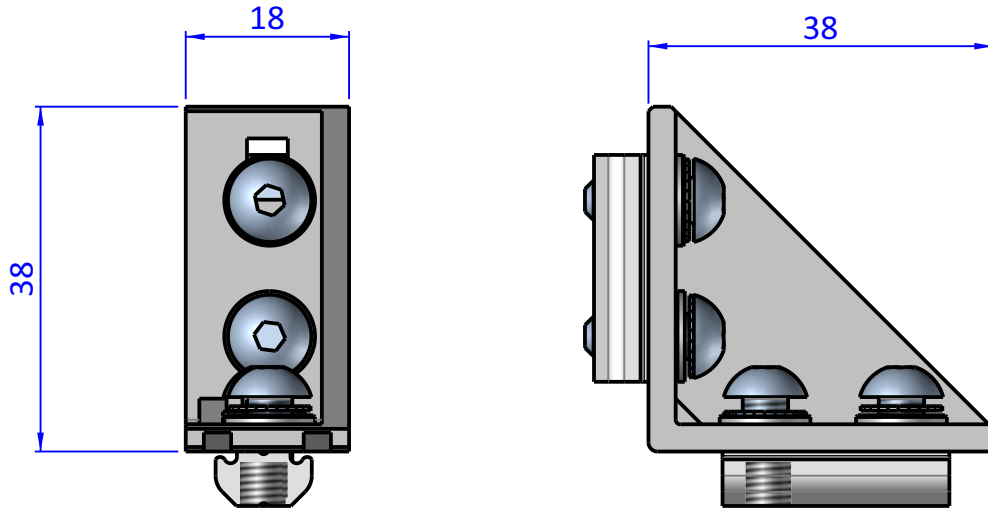


THE PROPERTY OF THE DRAWING IS ESTABLISHED BY LAW. IT IS FORBIDDEN TO PRODUCE OR SHOW IT TO THIRD PART. WITHOUT A WRITTEN AGREEMENT.

Item	Name	Q.ty
1	CA.GWP.5.15	2
2	R.5	4
3	R.5.SCH	4
4	V.TBCE5X12.BUTT	4
5	WIV.X.25.E	1



DESIGNED FROM <b>FPS Automation</b>		REVIEW <b>A</b>
DATE -	WEIGHT <b>0,031kg</b>	
CODE <b>CA.WIV.X.25.E</b>		

Format **A4**  
**UNI 936-76**

GENERAL TOLERANCE  
UNI - ISO 2768  
CLASSE **f**

DESCRIPTION  
**CA.WIV.X.25.E**